

E-LOCK GEN 2

LEADING GLOBAL LOCKING ACTUATOR PLATFORM

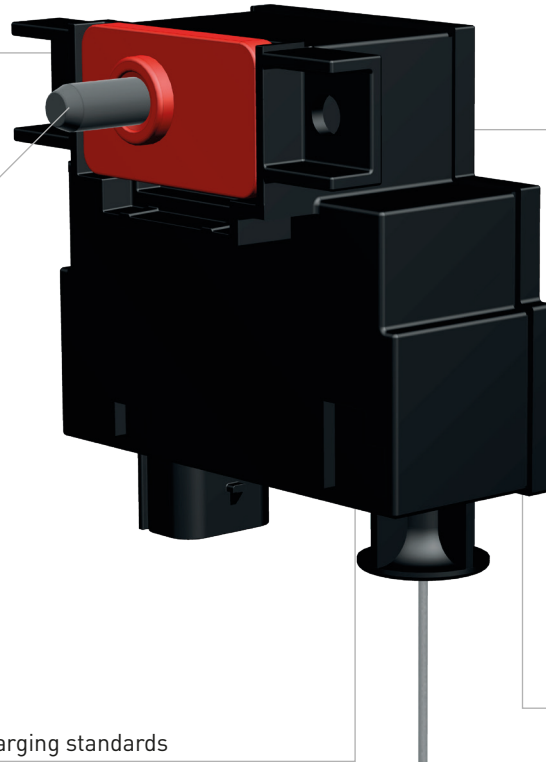
Versatile connection options

Secure locking pin with up to 5-position lockbolt detection

IP67 on component level and IP6K9K with inlet

Emergency release for maximum safety

Adaptable to all charging standards



E-LOCK GEN 2: ELEVATING SAFE AND SECURE CHARGING WITH MODULARITY, QUALITY AND PERFORMANCE.

E-Lock Gen 2 features a sophisticated yet simple, failure-resistant locking system in a compact, easy-to-integrate package. Designed for safe and secure charging, it's ideal for electric vehicles and charging stations. With a failure-resistant mechanical release and up to 5-position lockbolt detection, it offers enhanced security. It ensures compatibility with all major charging standards.

FEATURES



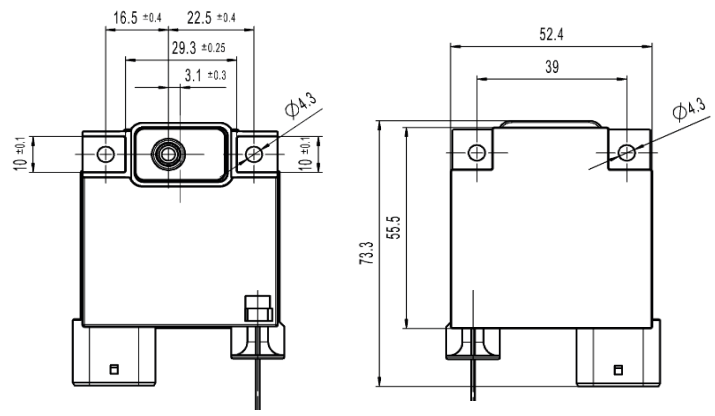
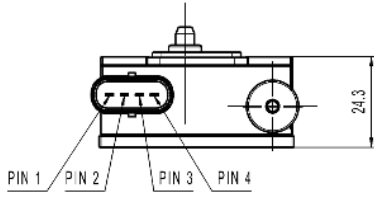
- Adaptable to all major charging standards
- IP67 (component level) and IP6K9K (with Inlet)
- Manual emergency release
- Compact footprint that can easily accommodate tight spaces

CUSTOMIZABLE OPTIONS

- Up to five lock bolt detection positions
- Lockbolt stroke
- Lockbolt design



PIN	Function
1	Motor contact (-) locked
2	Position feedback K1
3	Position feedback K2
4	Motor contact (+) locked

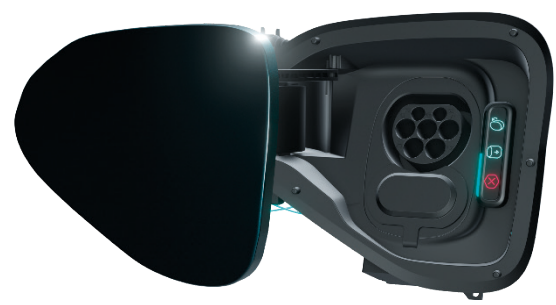


TECHNICAL INFORMATION

Features	E-Lock Gen 2
IP-Protection	IP67 (Component level) + IP6K9K (with Inlet)
Operating temperature range	-40°C to + 90°C
Detection positions	5 detection positions possible
Supply voltage	8V – 16V Passenger Cars
Mechanical interface	Screwing / Clipping / Other on request
Blocking force	>80 N at 13 V / >50 N over all working temperatures
Emergency release force	20 N – 35 N based on cable angle and temperatures
Opening and locking time	0.3s - 0.6s
Locking pin travel	Max. 8.2 mm

BENEFIT FROM THE „FULL PACKAGE“

Marquardt’s Interactive Charging Socket (ICS), combines innovative electronics, ambient illumination, a sensor-based Human-Machine Interface (HMI), and integrated heating elements, all within a modular and scalable design. What sets this charging system apart is its modularity and adaptability. It can be easily tailored to meet your specific needs.



ALWAYS IN TOUCH WITH MARQUARDT

As a mechatronics expert we connect human and machine with intelligent, electromechanical and electronic systems and components worldwide. Global leading brands from the automotive, electronics and power tool industries rely on Marquardt’s expertise for over 95 years.

www.marquardt.com
 Marquardt GmbH
 Schloss-Straße 16
 78604 Rietheim-Weilheim
 Germany

Check our website for your personal sales contact.

[get in contact](#)

